

A1-Bench Arbor Assembly Instructions

Parts:

- 4 - 4 x 4 x 8'6" Posts-A
- 2 - 2 x 6 x 8' Cross Brace-B
- 2 - Sets Pre-Drilled Stringer -D
- 3 - Sets Stringer -C
- 24 - 3" Lag Bolts
- 4 - 1 x 2 x 8' Cedar Strips For Hanging Baskets
- 8 - 3" Screws To Attach Strips

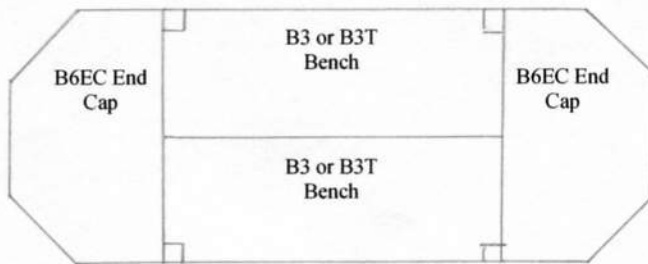
Tools Needed:

- Power Screwdriver With 1/2" Socket
- Wrench
- Philips Head Screwdriver
- Ladder
- One Assistant to help

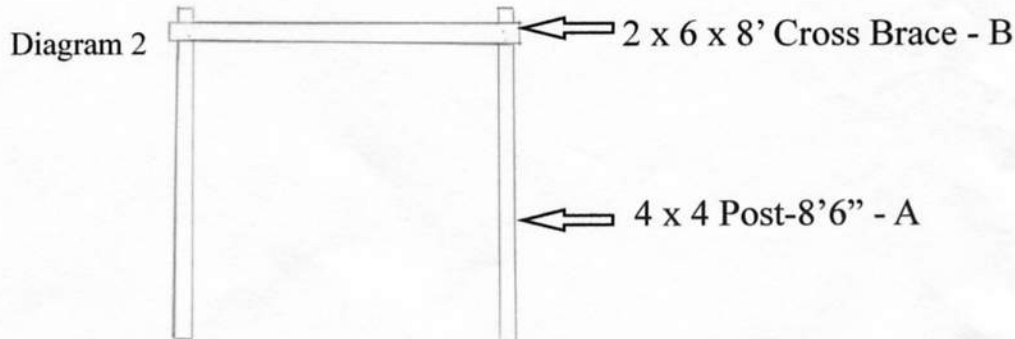
Step 1 Arrange benches as shown.

- A- so arbor goes over bench (line art below) or
- B - so arbor goes over Aisle (see back for photo)

Diagram 1



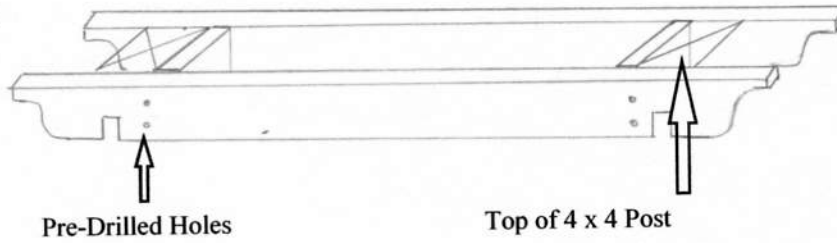
Step 2 Place two 4 x 4 posts on a flat surface 90" apart. Attach 2 x 6 x 8' cross brace as shown. Both posts (A) and cross brace (B) are marked with lines for exact positioning. Use two lag bolts (with washers) per post. With one person per post lift post and drop them through holes in the bench. Cross brace B must face outside - away from center of arbor that will be overhead. Repeat for side two.



Bench Systems, LLC P.O. Box 1510, Lewiston, ME 04241-1510
888-881-3081 Toll Free * 207-784-0939 Fax * www.benchsystems.com

Step 3 Select the pre-drilled stringer D (see line art). Drop one set over each post. Notch must settle onto the 2 x 6 cross brace on both sides. Attach to posts with 4 lag bolts on pre-drilled holes (two each side). Repeat for other end.

Stringer D



Step 4 Square arbor to bench all around. Use remaining lag bolts (8) to attach through side and corner of bench to post.

Step 5 Place the remaining sets of stringers on top in similar manner as D. Space evenly.

Step 6 Place 1 x 2 x 8' pieces on edge on top. Across the stringers (90°). Place one 6' outside the 4 x 4 post and one 6" inside the 4 x 4 post. Fasten with screws provided. This is when you really need the ladder. Pieces must be on edge to work for hanging baskets.

Arbor can be used to support: signage, lighting, shade cloth, sprinkler systems, hanging baskets and hooks for large baskets.



Over Bench



Over Aisle

Bench Systems, LLC P.O. Box 1510, Lewiston, ME 04241-1510
888-881-3081 Toll Free * 207-784-0939 Fax * www.benchsystems.com